

The innovation in lip seals

**SeccoLip**  
**Simple. Reliable.**  
**Unique.**

Algeria · Angola · **Argentina** · **Australia** · **Austria** · Bahrain · Bangladesh · Belarus · **Belgium** · Botswana · **Brazil** · Bulgaria · Cameroon · **Canada** · **Chile** · **China** · **Colombia** · Congo · Cyprus · **Czech Republic** · **Denmark** · **Ecuador** · Egypt · Estonia · Finland · **France** · Gabon · **Germany** · Ghana · **Great Britain** · Greece · **Hungary** · **India** · **Indonesia** · Iraq · Ireland · Israel · **Italy** · Ivory Coast · **Japan** · Jordan · Kazakhstan · Kenya · **Korea** · Kuwait · Latvia · Lebanon · Libya · Lithuania · Madagascar · **Malaysia** · Mauritius · **Mexico** · Morocco · Myanmar · Namibia · **Netherlands** · **New Zealand** · Nigeria · **Norway** · Oman · Pakistan · Paraguay · Peru · **Philippines** · **Poland** · Qatar · Romania · **Russia** · **Saudi Arabia** · Serbia · **Singapore** · Slovak Republic · Slovenia · **South Africa** · **Spain** · Sudan · **Sweden** · **Switzerland** · **Taiwan** · **Thailand** · Trinidad and Tobago · Tunisia · **Turkey** · Ukraine · **United Arab Emirates** · Uruguay · **USA** · **Venezuela** · **Vietnam** · Yemen · Zambia · Zimbabwe · [www.eagleburgmann.com/world](http://www.eagleburgmann.com/world)



SeccoLip / E1 / 06.18 © EagleBurgmann Group Marketing, Germany

EagleBurgmann is one of the internationally leading companies for industrial sealing technology. Our products are used everywhere where safety and reliability are important: in the oil and gas industry, refining technology, the petrochemical, chemical and pharmaceutical industries, food processing, power, water, mining, pulp & paper, aerospace and many other spheres. Every day, more than 5,500 employees contribute their ideas, solutions and commitment towards ensuring that customers all over the world can rely on our seals. Our modular TotalSealCare service underlines our strong customer orientation and offers tailor-made services for every application.

[eagleburgmann.de](http://eagleburgmann.de)  
[info@eagleburgmann.com](mailto:info@eagleburgmann.com)

**EagleBurgmann®**  
Rely on excellence

a member of **EKK** and **FREUDENBERG**

Typical operating ranges



Chemical industry



Petrochemical industry



Pharmaceutical industry



Water and waste water technology



Food processing industry



Beverages industry



**Patented lip design**

**Patented shaft compensation**

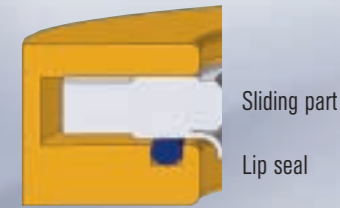
# Technology Excellence

The operating principle of profile lips combined with the reliability and safety of a mechanical seal: The new SeccoLip is a dry-running lip seal for agitators, mixers and reactors with innovative lip technology. The patented combination of PTFE sealing lip and sliding bearing is unique and can compensate any shaft deflections directly and reliably due to a special, likewise patented compensation function.

## Top performance in all details

### 1. Sealing lip / sliding element combination

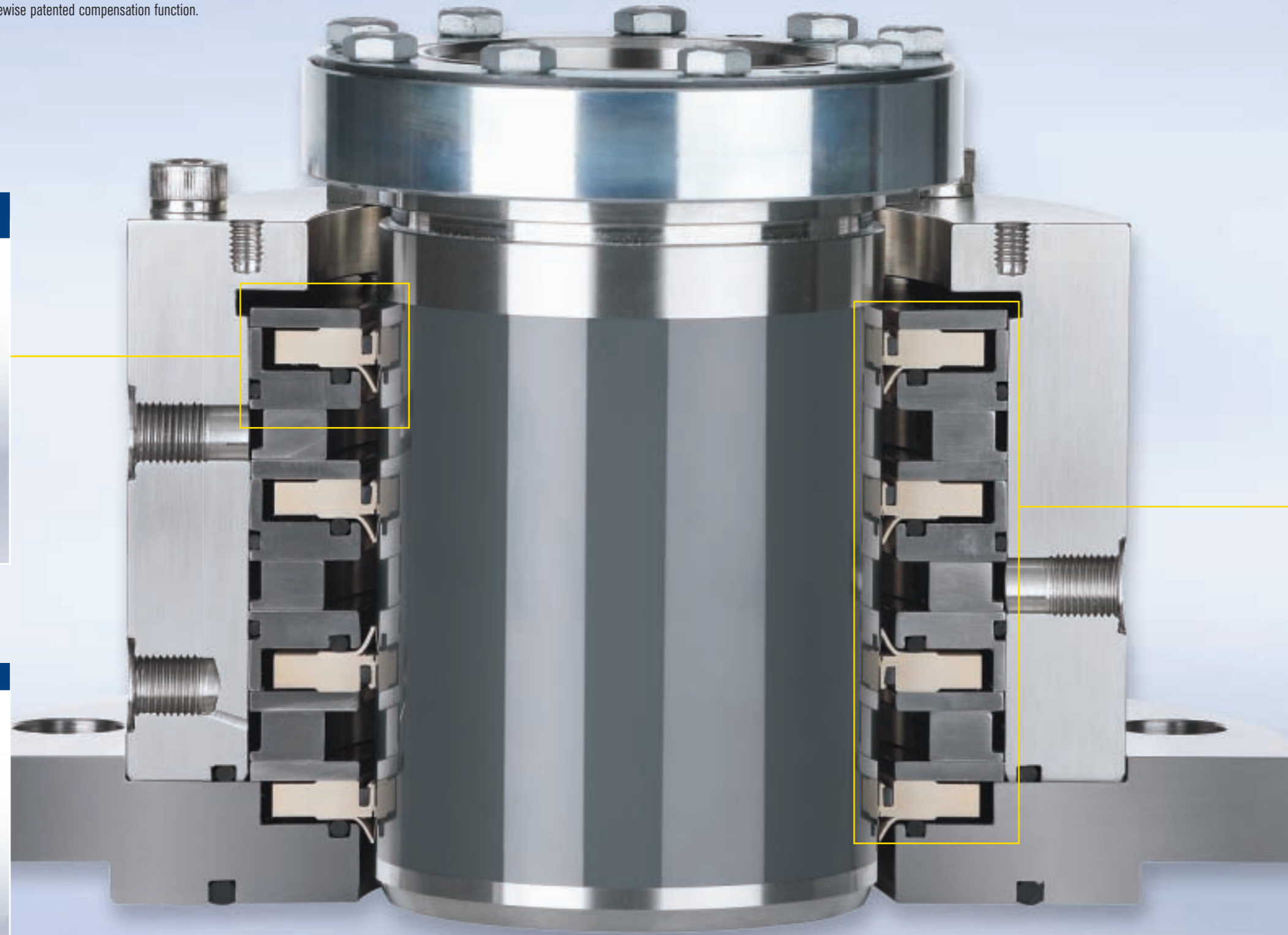
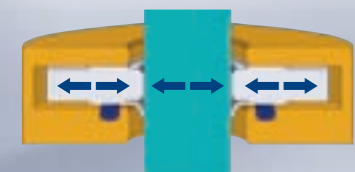
- Compact, patented design
- Dry running
- Bi-directional
- Sealing element made of light, chemically highly resistant PTFE compound
- FDA-compliant
- Perfect contact with machine shaft
- Non-variable parts in all sealing stages



### 2. Movable in all directions

Shaft deflections are directly and reliably compensated by the special patented compensation function for the sealing lip/sliding element combination, making additional components superfluous:

- Elimination of compensating elements such as O-ring, expansion washer or metal bellows
- Rolling bearings not necessary, but available upon customer request

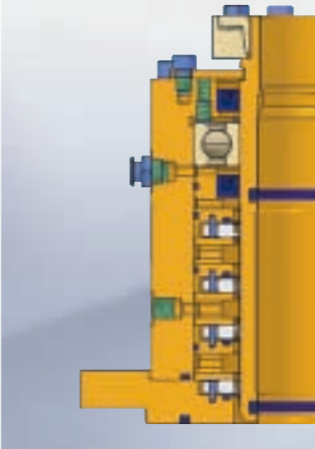
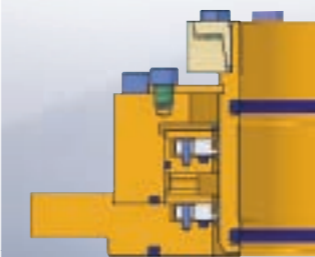


SeccoLip variant in steel version for agitator tanks according to DIN 28136 with 4-stage sealing lip structure and standard supply connections.

Glass-lined version and variants for agitators outside of DIN available.

### 3. Flexible design prepared for all operating conditions

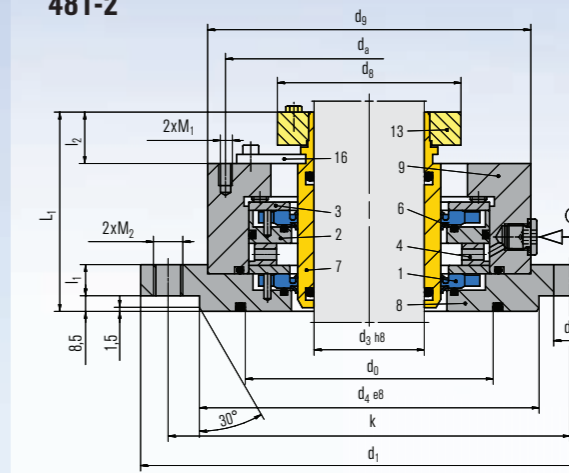
- 2, 3, or 4 sealing lips
- Flexible use of sealing lips
- Supply connections available as standard (e.g. flushing, monitoring, buffer pressure overlay according to individual requirements)
- Optional rolling bearings



### 4. Cartridge-Design

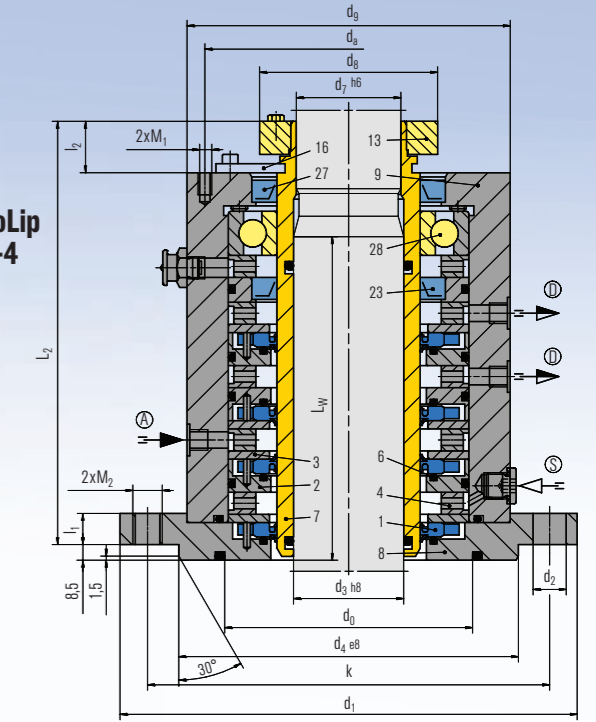
- Easy to install
- Safe to use

### SeccoLip 481-2



1 Lip seal	4 Insert ring	8 Flange
2 Inset	6 O-ring	9 Housing
3 Disc	7 Shaft sleeve	13 Shrink disc

### SeccoLip 481L-4



16 Setting device	28 Sliding bearing
23 Spacer ring	
27 Shaft seal	

### Operating range

- Shaft diameter:  $d_1 = 40 \dots 125 \text{ mm}$  (1.57" ... 4.92")
- Pressure:  $p_1 = \text{vacuum} \dots 6 \text{ bar}$  (87 PSI)
- Temperature:  $-10 \text{ }^\circ\text{C} \dots +150 \text{ }^\circ\text{C}$  (14  $^\circ\text{F} \dots +302 \text{ }^\circ\text{F}$ )
- Sliding velocity:  $v_g = 0 \dots 2 \text{ m/s}$  (0 ... 6 ft/s)
- Axial movement:  $\pm 3,0 \text{ mm}$
- Radial movement: 1,0 mm

For top entry drives, side and bottom entry drives on request

For applications beyond this range, please inquire. It should be noted that the extremal values of each operating parameter cannot be applied at the same time because of their interaction.

### Materials

- Lip sealing element: bright chemically highly resistant PTFE-compound, FDA-compliant
  - Secondary seals: FKM (V)
  - Metallic parts: 316L / 1.4404
- Other materials are possible, depending on customer requirements

### Standards and approvals

- ATEX
- FDA
- TA-Luft

### Sustainability Board

EagleBurgmann continuously minimizes the impact of its own production processes (footprint) on the environment. At the same time, we improve sustainability for our customers (handprint) with innovative and reliable products. Our SeccoLip specifically excel in the following criteria:



#### Material

- Optimized use of materials through extensive standardization and variant compatibility



#### Waste

- Waste avoidance through innovative product design and longer operating periods due to consistently high-quality materials



#### Water

- Suitable for dry running